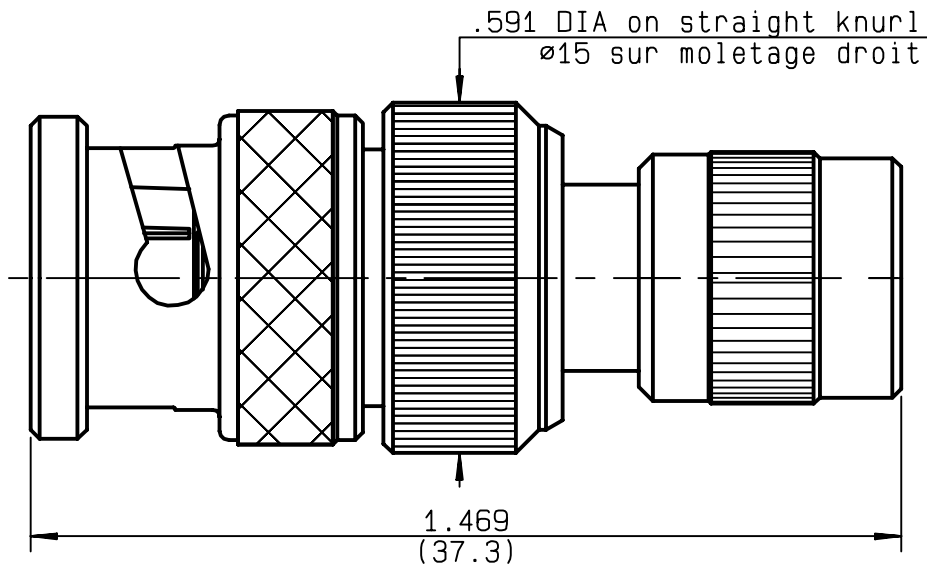


BNC MALE - 1.6-5.6 MALE STRAIGHT ADAPTER

R192.431.000

SERIES ADAPT 75



NOMINAL IMPEDANCE	75 Ω	CABLES :	
FREQUENCY RANGE	0-1 GHz		
TEMPERATURE RATING	-40/+155 °C		
V.S.W.R	1.15 + 0 x F(GHz)Maxi		
RF INSERTION LOSS	\sqrt{F} (GHz) dB Maxi		
VOLTAGE RATING	330 Veff Maxi		
DIELECTRIC WITHSTANDING VOLTAGE	1000 Veff Mini		
INSULATION RESISTANCE	5000 MΩMini	OTHERS CHARACTERISTICS	
HERMETIC SEAL	Atm.cm ³ /s	CABLE RETENTION	N Mini
LEAKAGE (pressurized only)		CENTER CONTACT RETENTION	
MECHANICAL DURABILITY	500 Cycles	Axial force - mating end	27 N Mini
WEIGHT	gr	Axial force - opposite end	27 N Mini
SPECIFICATION		Torque	cm.N Mini
		RECOMMENDED TORQUES	
		Mating	cm.N
		Panel nut	cm.N
		Clamp nut	cm.N

CONNECTOR PARTS	MATERIALS	FINISH	(all values are given) in micrometers
BODY	BRASS	NICKEL .	
OUTER CONTACT	BRONZE, BRASS	NICKEL .	
CENTER CONTACT	BRASS	GOLD OVER NICKEL	
INSULATOR	PTFE	-	
GASKET		-	
OTHERS PIECES			

ISSUE	CREATION DATE	FILE PART-NUMBER
0304F01	07/12/1981	



Connect to the future

The information given here is subject to change without notice.
Design changes may be in order to improve the product .

TRIQUES